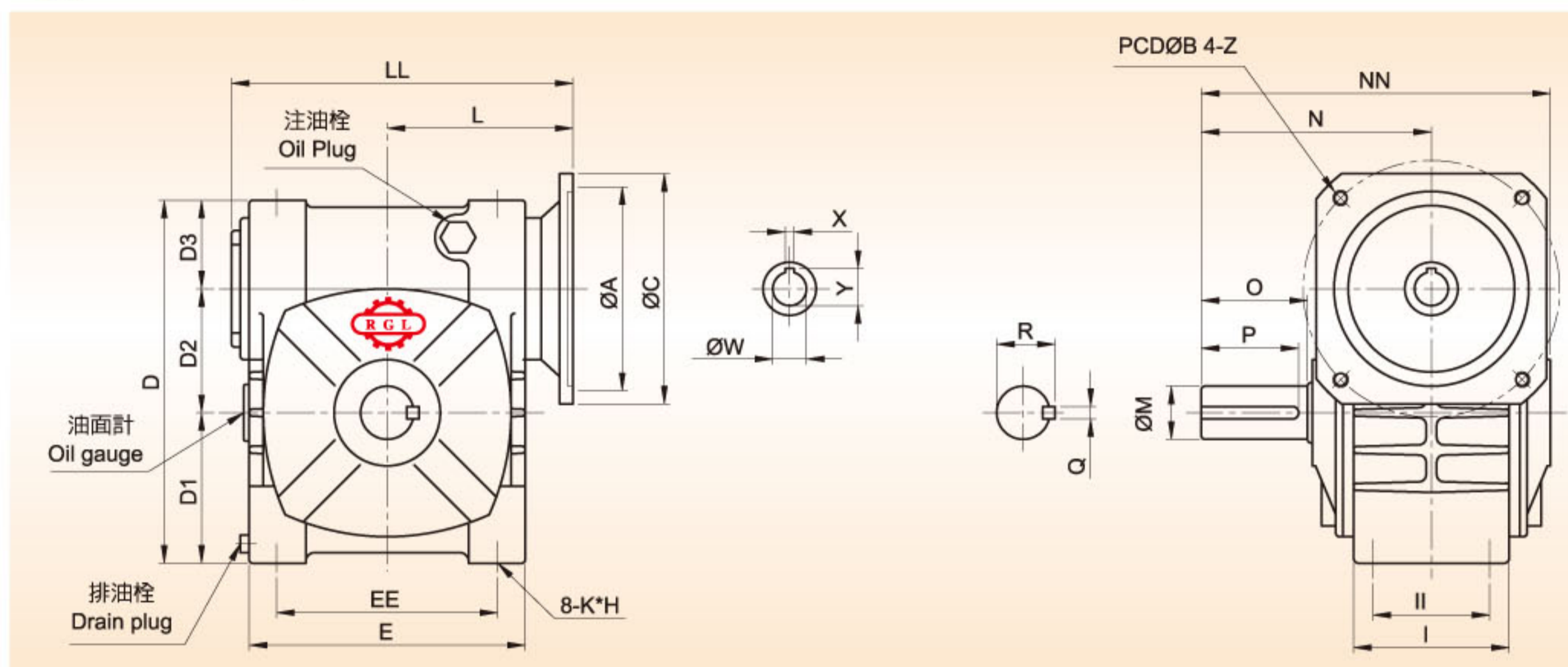


雙導程蝸輪減速機-ASFE系列

Double lead worm gear reducer - ASFE series

◀ Type:ASFE ▶



● 尺寸表 Dimensions ●

型號 SIZE	LL	L	NN	N	D1	D21	D3	D	EE	E	II	I	K*H
80	217	113	210	140	92	80	60	232	145	174	75	98	M10*20
100	280	148	260	170	115	100	75	290	185	226	85	117	M12*24

型號 SIZE	動力 KW		馬達盤 MOTOR FLANGE				入力軸 INPUT SHAFT			出力軸 OUTPUT SHAFT				重量 (Kg)	
	1/10~1/30	1/40~1/60	A	B	C	Z	W	X	Y	O	P	M	Q		R
80	1.5	1	110	145	130	M8	24	8	27	65	60	32	10	35.5	22
100	3	2	114.3	200	176	M12	35	8	38	75	70	38	10	41.5	38

型號 SIZE	轉速 RPM	標準背隙 STANDARD BACKLASH	精密背隙 PRECISION BACKLASH
80	3000 ~ 6000	< 15	< 3
100	2000 ~ 4000	< 20	< 4

註 1: 此機型之蝸桿和出力軸材質為SNCM21滲碳熱處理，蝸輪材質為日本之ALBC2。

註 2: 採雙導程設計，高扭力、高剛性、低噪音、低震動、低背隙(0~0.02°)，背隙調整容易，倍增經度壽命，適用高精度傳動及分度、定位、定寸之應用：工具機第四軸、旋轉工作檯、分度盤、機器人、各式產業機械定位、定寸裝置。

註 3: 標準減速機及蝸輪組(中心距:80-100 mm 馬力:1-3 kw 速比:10-60)

註 4: 特殊規格歡迎來圖訂製。

Note : 1). The worm shaft and output shaft for this series are manufactured from SNCM21 material and carburization heat treated. The worm gear is manufactured from Japanese material AIBC2.

2). The double lead worm shaft features high torque output, high rigidity, low noise, low vibration and low backlash (0 ~ 0.02). Easy to adjust backlash for extra long service life. Ideal for high precision transmission and indexing, positioning and sizing applications such as: the fourth axis on machine tools, rotary tables, indexing tables, robot positioning and sizing applications for industrial machinery.

3). Standard worm gear reducer and worm gear set.

* Distance between centers:80-100 mm

* Motor:1-3 kw

* Speed reduction ratio:10-60

4). Please send us drawings for custom specifications.

● 軸配置及旋轉方向 Shaft Arrangement and Rotation Direction ●

