

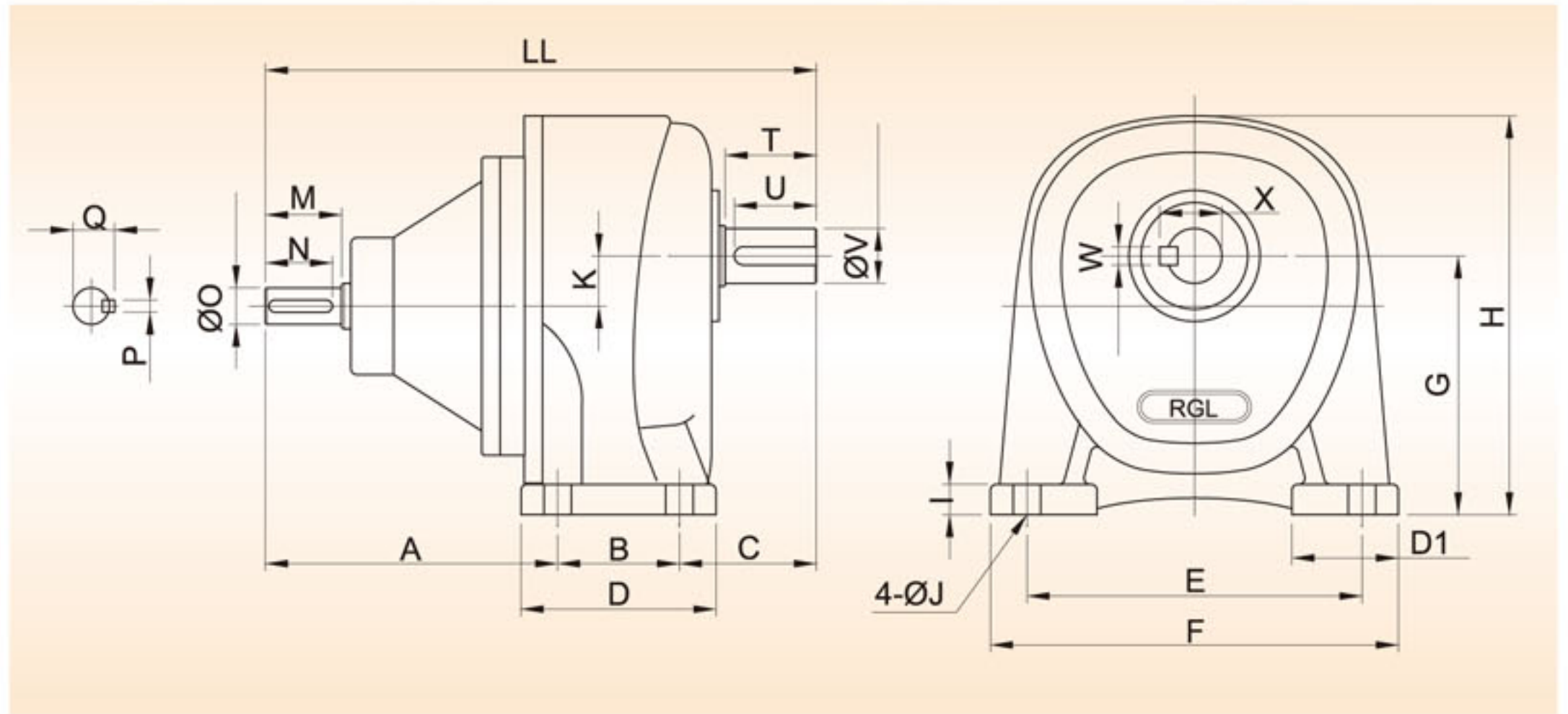
臥式雙軸型齒輪減速機—GLD系列

Horizontal-Double shaft type-GLD series

◀ Type:GLD ▶



1/8HP
(0.1KW)



● 尺寸表 Dimensions ●

型號 SIZE	LL	A	B	C	D	D1	E	F	G	H	I	ØJ	K
GL-18D	181	96	40	45	64	35	110	134	85	131	10	9	16.5
GL-22D	208.5	88	65	55.5	90	43	130	154	90	139	12	11	19
GL-18D	181	96	40	45	64	35	110	134	85	131	10	9	16.5
GL-22D	208.5	88	65	55.5	90	43	130	154	90	139	12	11	19
GL-28D	227.5	73.5	90	64	125	52	140	175	110	167.5	15	11	23.5
GL-22D	216	95.5	65	55.5	90	43	130	154	90	139	12	11	19
GL-28D	235	81	90	64	125	52	140	175	110	167.5	15	11	23.5
GL-32D	253.5	53.5	130	70	168	54	170	204	130	198	18	13.5	28.5
GF-28D	245	91	90	64	125	52	140	175	110	167.5	15	11	23.5
GF-32D	262	62	130	70	128	54	170	204	130	198	18	13.5	28.5
GF-40D	310.5	70.5	150	90	196	76	210	254	150	230	20	15	34
GF-32D	289	89	130	70	168	54	170	204	130	198	18	13.5	28.5
GF-40D	333	93	150	90	196	76	210	254	150	230	20	15	34
GF-50D	373	105.5	160	107.5	210	76	230	285	170	263.5	25	18	40
GF-40D	339	99	150	90	196	76	210	254	150	230	20	15	34
GF-50D	379	105.5	160	107.5	210	76	230	285	170	263.5	25	18	40
GL-50D	384	110.5	160	107.5	210	76	230	285	170	263.5	25	18	40

型號 SIZE	比數 RATIO	馬力 HP	入力軸 INPUT SHAFT					出力軸 OUTPUT SHAFT				
			M	N	ØO	P	Q	T	U	ØV	W	X
GF-18D	5~50	1/8	25	22	12	4	13.7	28	27	18	6	20.5
GF-22D	60~200	0.1KW	25	22	12	4	13.7	38	35	22	6	24.6
GF-18D	5~30	1/4	25	22	12	4	13.7	28	27	18	6	20.5
GF-22D	30~100	0.2KW	25	22	12	4	13.7	38	35	22	6	24.6
GF-28D	120~200		25	22	12	4	13.7	43	40	28	8	31.4
GF-22D	5~25	1/2	30	27	15	5	17.1	38	35	22	6	24.6
GF-28D	30~100	0.4KW	30	27	15	5	17.1	43	40	28	8	31.4
GF-32D	120~200		30	27	15	5	17.1	53	50	32	10	35.2
GF-28D	5~25	1	35	32	20	6	22.5	43	40	28	8	31.4
GF-32D	30~100	0.75KW	35	32	20	6	22.5	53	50	32	10	35.2
GF-40D	120~200		40	35	25	8	27.8	63	58	40	12	43
GF-32D	5~25	2	40	35	25	8	27.8	53	50	32	10	35.2
GF-40D	30~100	1.5KW	40	35	25	8	27.8	63	58	40	12	43
GF-50D	120~200		40	35	25	8	27.8	75	70	50	14	53.5
GF-40D	5~25	3	45	40	30	8	33	63	58	40	12	43
GF-50D	30~100	2.2KW	45	40	30	8	33	75	70	50	14	53.5
GF-50D	5~25	5 3.7KW	50	40	32	10	38.3	75	70	50	14	53.5